

Technics®

How to use the remote control transmitter EUR643808



Battery notes

Do not mix old and new batteries, or batteries of different types (carbon and alkaline, etc.).

Always remove old, weak or worn-out batteries promptly and dispose of them properly.

The average battery life is about one year. Although the battery life varies depending on how often the device is used, you should generally replace the batteries about once a year.

The batteries should be replaced if commands from the remote control transmitter do not operate the unit even when the transmitter is held close to the front panel.

Never subject batteries to excessive heat or flame; do not attempt to disassemble them; and be sure they are not short-circuited.

If you will not use the remote control for a long period of time, remove the batteries and store them in a cool, dark place.

If a battery leaks, remove all batteries and dispose of them properly. Thoroughly clean the battery compartment before inserting new batteries.

If the leaking electrolyte comes into contact with skin or clothes, flush with water immediately.

Keep batteries out of reach of children.

Do not use rechargeable type batteries.

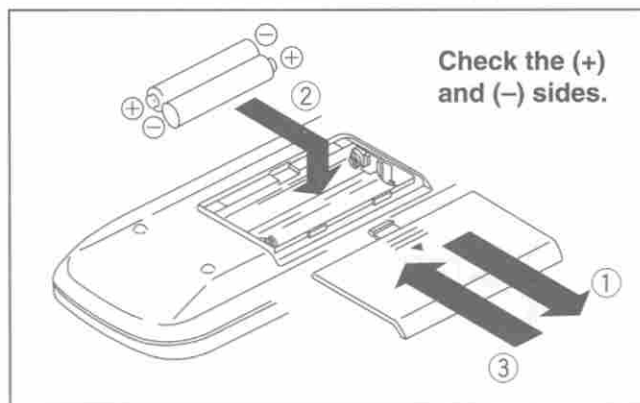
Do not attempt to recharge alkaline or carbon batteries.

Do not dispose of used batteries in household rubbish.

Before use

Battery installation

Insert the batteries included with this unit as shown below.

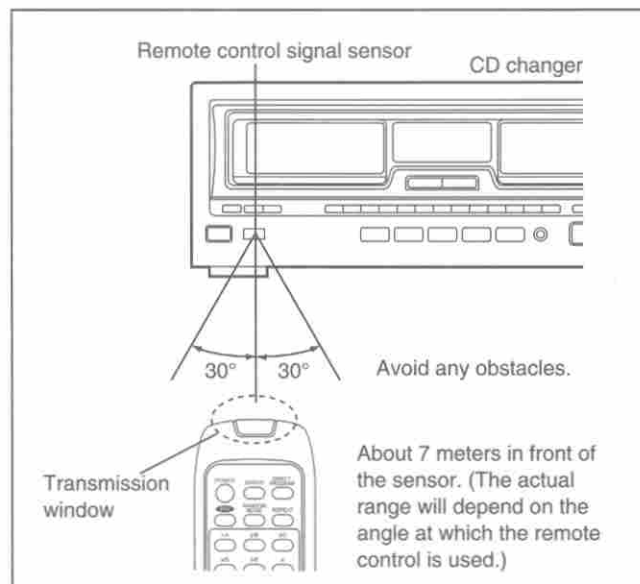


When you need to replace these batteries

Use two R03/LR03, AAA size, UM-4 (1.5 V) or equivalent batteries.

Method for use

Use the remote control within 60 degrees and within 7 meters (23 ft.) facing directly toward the changer's remote control signal sensor.



Note

Be sure the transmission window and the unit's sensor are free from dust. Excessive dust might affect performance.

The operation may not be correct if direct sunlight or another strong light source strikes the receiving sensor of this unit. If there is a problem, place the unit away from the light source.

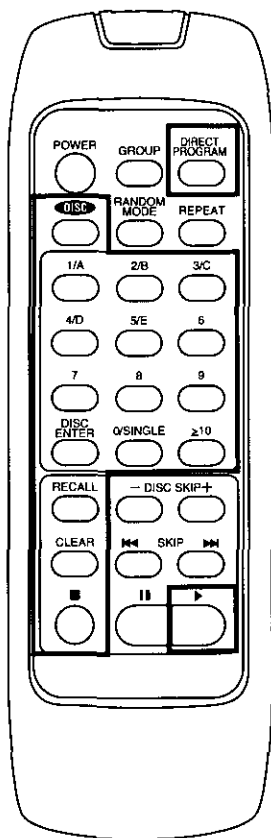
Quick reference table for remote control operation

For details about each function, refer to the operating instructions for the main unit.

Basic operation																										
	To turn OFF/ON the main unit	POWER 																								
	To select a specific disc	→ <table border="0"> <tr> <td>1/A</td> <td>2/B</td> <td>3/C</td> </tr> <tr> <td></td> <td></td> <td></td> </tr> <tr> <td>4/D</td> <td>5/E</td> <td>6</td> </tr> <tr> <td></td> <td></td> <td></td> </tr> <tr> <td>7</td> <td>8</td> <td>9</td> </tr> <tr> <td></td> <td></td> <td></td> </tr> <tr> <td></td> <td>0/SINGLE</td> <td></td> </tr> <tr> <td></td> <td></td> <td></td> </tr> </table> →	1/A	2/B	3/C				4/D	5/E	6				7	8	9					0/SINGLE				
	1/A	2/B	3/C																							
	4/D	5/E	6																							
7	8	9																								
	0/SINGLE																									
To select a specific track	<table border="0"> <tr> <td>1/A</td> <td>2/B</td> <td>3/C</td> </tr> <tr> <td></td> <td></td> <td></td> </tr> <tr> <td>4/D</td> <td>5/E</td> <td>6</td> </tr> <tr> <td></td> <td></td> <td></td> </tr> <tr> <td>7</td> <td>8</td> <td>9</td> </tr> <tr> <td></td> <td></td> <td></td> </tr> <tr> <td></td> <td>0/SINGLE</td> <td>≥10</td> </tr> <tr> <td></td> <td></td> <td></td> </tr> </table> <p>To select a track between 1 and 9: Press the corresponding number on the keypad. To select a two-digit track number 10 or higher: First press ≥10, and then press the numbers for the two digits.</p>	1/A	2/B	3/C				4/D	5/E	6				7	8	9					0/SINGLE	≥10				
1/A	2/B	3/C																								
4/D	5/E	6																								
7	8	9																								
	0/SINGLE	≥10																								
To start play																										
To stop play temporarily	Press to resume play.																									
To stop play																										

Random play		
	To start one disc/full random play	RANDOM MODE <p>Each time the button is pressed, the random mode will change in the following order:</p> <pre> graph LR A[One disc random] --> B[Full random] B --> C["(off)"] C --> A </pre>
	To stop random play	<p>This stops play and cancels random play at the same time.</p>

Program play



To start program play

- ①
(In the stop mode)
Select the program mode (Press PROGRAM on the changer front panel)
- ②

Select a disc
- ③

Select a track

Repeat steps ② and ③ until you have completed all entries
- ④

Start play

To check programmed contents

RECALL
 The selections entered are displayed one by one each time this button is pressed

To clear a single item from the program

CLEAR
 Only the selection which is currently displayed is cleared

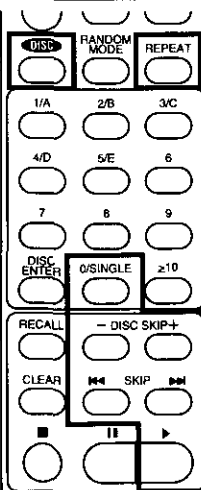
To clear all programmed contents

(In the stop mode)

To add the track currently being played to the program

(In the play mode)
 DIRECT PROGRAM

Skip discs/skip tracks/repeat function, Single disc play



To skip discs

- DISC SKIP+

To skip tracks

SKIP

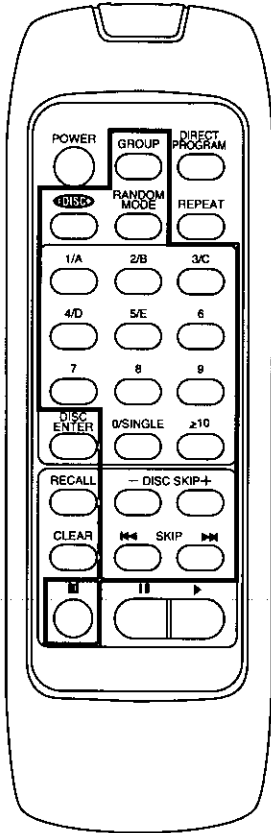
To repeat play

(Before or during play)
 REPEAT
 To cancel repeat mode
 Press REPEAT again

To play the disc in slot No 0

DISC → 0/SINGLE →

Disc grouping play



To group discs

① Select the disc number.

1/A 2/B 3/C

DISC → 4/D 5/E 6

or 7 8 9

- DISC SKIP+ 0/SINGLE

② Select the group enter mode. (Press GROUP ENTER on the changer front panel.)

③ Select a group. Repeat steps ①, ② and ③ until you have completed all items.

GROUP → 1/A 2/B 3/C

4/D 5/E

To cancel discs from groups

Perform above steps ① and ②, and then select the group you want to cancel in step ③.

To cancel a particular disc from all groups, press in step ③ above.

To name groups

① Select the group naming mode. (Press GROUP ENTER on the changer front panel.)

② SKIP Call up the group name you want on the display.

③ Select the group you want to name.

GROUP → 1/A 2/B 3/C

4/D 5/E

For sequential play within a given group

GROUP → 1/A 2/B 3/C

4/D 5/E

Select the group you want.

For random play within a given group

① Select the group you want.

GROUP → 1/A 2/B 3/C

4/D 5/E

② Select the random mode.

Troubleshooting guide

Problem	Probable cause(s)	Suggested remedy
The changer does not respond correctly to remote commands.	The batteries have run out.	• Replace batteries with new ones.
	There is an obstruction between the remote control and the changer.	• Remove the obstruction.
	The batteries are inserted incorrectly. [The (+) and (-) polarities are reversed.]	• Reinsert batteries so that the polarities are correct.